

Tinynode G4 gateway

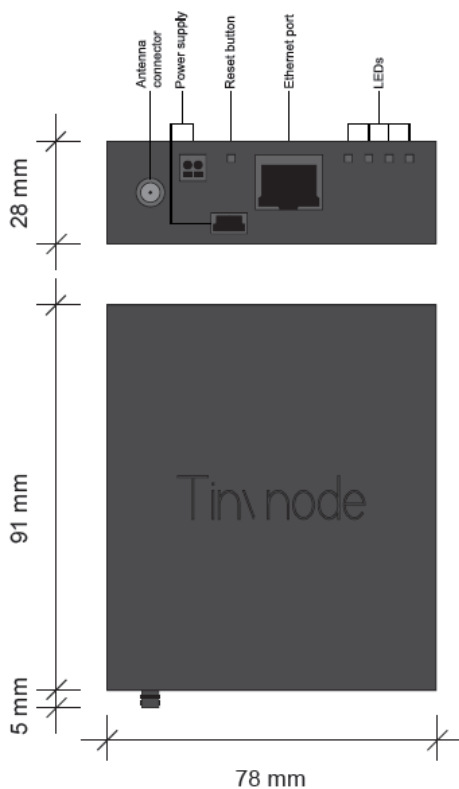
Product brochure



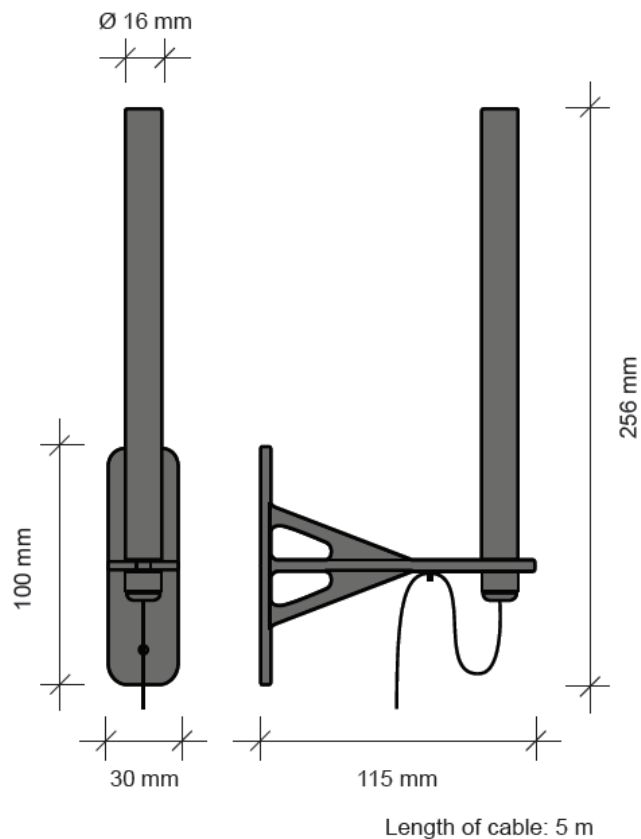
G4 gateway acts as the local data collection point of any Tinynode's vehicle detection solution, as well as the main interface to third-party systems.

It supports 868 MHz, 915 MHz and 920 MHz radio frequencies and needs to be placed in a technical cabinet. Easy to install, it features an Ethernet, TPC/IP based REST interface, with a web interface for quick setup, software update and maintenance.

G4 gateway



Antenna



Technical specifications

Power supply

Mini USB Connector	AC adapter included; Euro, UK, US plugs included Output voltage: 5V DC, 1A; Input voltage: 100-240V AC 50-60 Hz, 0.3 A
Industrial supply connector	8-25V DC, 1A 0.2 mm ² to 0.5 mm ² conductor cross

Radio communication

Self-configuring, multi-hop and self-healing networking protocol
Radio communication availability above 99%; featuring Ethernet, TCP/IP based REST interface

Radio frequencies	868MHz, 915MHz, 920MHz
Communication range (line-of-sight condition)	100 m to A4 or A4-H sensor 100 m to B4 or A4-H sensor 100 m to R4 repeater

Environmental

Dimensions and weight	28 x 78 x 91 mm; 215 g
Antenna dimensions	115 x 256 x 16 mm
Color	Black

Mechanical properties

Operating temperature	-20°C to +65°C
Protection grade	IP20
Humidity range	<90% non-condensing

Installation and maintenance

Easy and flexible installation (technical cabined required)
Web interface for easy setup and maintenance
Automatic wireless reconfiguration and software update
1 year product warranty

Information subject to change without notice. Last update: May 2018

Tinynode SA

Via Passeggiata 7 – 6883 Novazzano – Switzerland
ph +41 91 233 0100 | tinynode@tinynode.com | support@tinynode.com
www.tinynode.com | www.pdxeng.ch