

# Tinynode G4 gateway

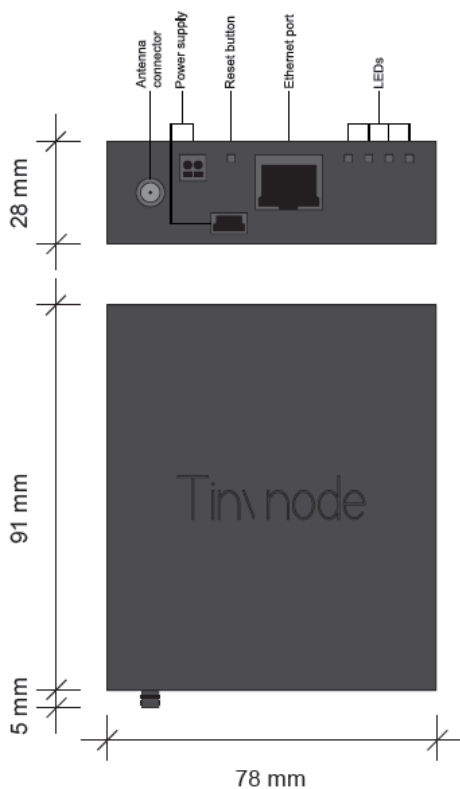
## Product brochure



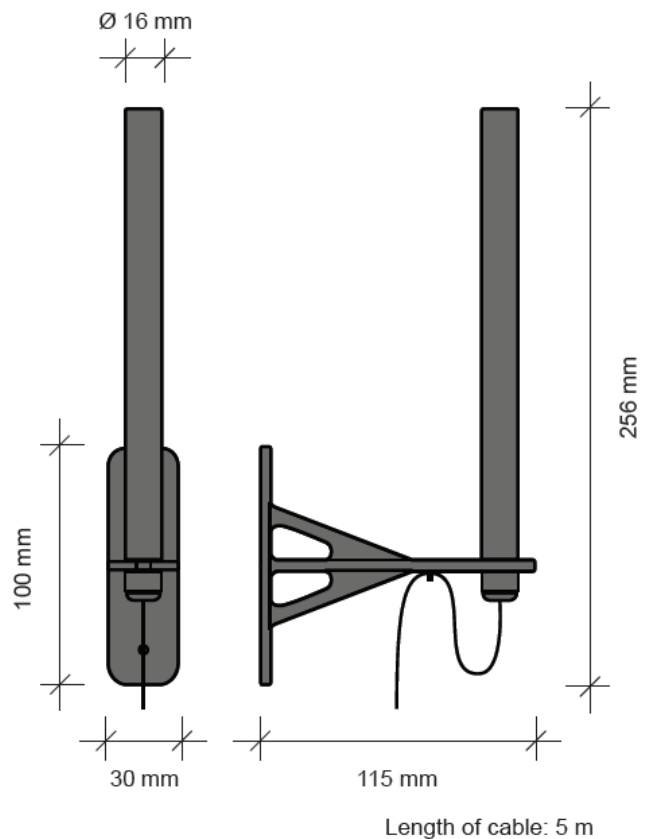
**G4 gateway acts as the local data collection point of any Tinynode's vehicle detection solution, as well as the main interface to third-party systems.**

It supports 868 MHz, 915 MHz and 920 MHz radio frequencies and needs to be placed in a technical cabinet. Easy to install, it features an Ethernet, TCP/IP based REST interface, with a web interface for quick setup, software update and maintenance.

**G4 gateway**



**Antenna**



# Technical specifications

## Power supply

Mini USB Connector	AC adapter included; Euro, UK, US plugs included Output voltage: 5V DC, 1A; Input voltage: 100-240V AC 50-60 Hz, 0.3 A
Industrial supply connector	8-25V DC, 1A 0.2 mm <sup>2</sup> to 0.5 mm <sup>2</sup> conductor cross

## Radio communication

Self-configuring, multi-hop and self-healing networking protocol  
Radio communication availability above 99%; featuring Ethernet, TCP/IP based REST interface

Radio frequencies	868MHz, 915MHz, 920MHz
Communication range (line-of-sight condition)	30 m to A4 or A4-H sensor 30 m to B4 or A4-H sensor 100 m to R4 repeater

## Environmental

Dimensions and weight	28 x 78 x 91 mm; 215 g
Antenna dimensions	115 x 256 x 16 mm
Color	Black

## Mechanical properties

Operating temperature	-20°C to +65°C
Protection grade	IP20
Humidity range	<90% non-condensing

## Installation and maintenance

Easy and flexible installation (technical cabined required)  
Web interface for easy setup and maintenance  
Automatic wireless reconfiguration and software update  
1 year product warranty

Information subject to change without notice. Last update: May 2020

### Tinynode SA

Via Passeggiata 7 – 6883 Novazzano – Switzerland  
ph +41 91 233 0100 | [tinynode@tinynode.com](mailto:tinynode@tinynode.com) | [support@tinynode.com](mailto:support@tinynode.com)  
[www.tinynode.com](http://www.tinynode.com) | [www.pdxeng.ch](http://www.pdxeng.ch)